

**DSP 205****Outdoor Waterproof Column Speaker****Features**

- IP×6 waterproof level
- Max SPL: 102±2dB
- Built-in 100v/70v transformer
- Wide Freq.Resp.:140Hz-14kHz
- High sensitivity: 89±2dB
- Aluminum enclosure & grille
- Weatherproof column type loudspeaker

**Description**

The DSP205 is a weatherproof outdoor column speaker with a 70v/100v transformer built in. The 70v/100v transmission is realized in a high-voltage, low-current mode, which makes longer distance transmission and parallel connection of multiple loudspeakers possible.

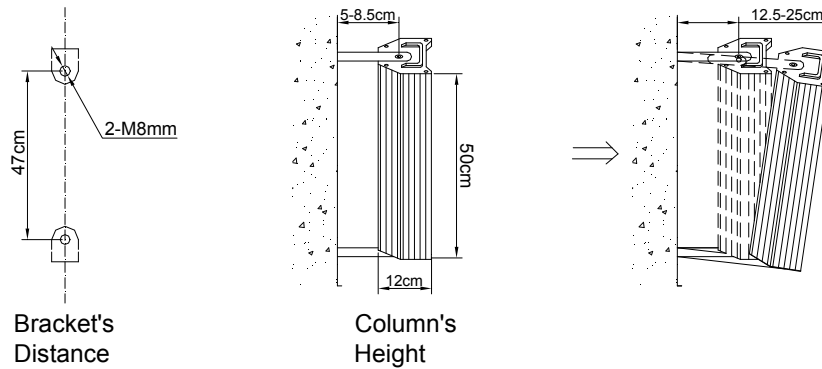
The products have gotten waterproof certificate and other certificates, and the net cover is made of aluminum and would not rust. The speaker is constructed of dual-crossover. The speaker units have the features of high sensitivity and high dynamic range.

It can be applied to different occasions vary in area sizes and background noises, such as station, park, school, square, military camp, industrial park, beach, etc.

**Specification**

MODEL	DSP205
Full-range	4"×2.5"×1
Rated Power	20W
Max Power	40W
Line Voltage	70/100v
Sensitivity(1M,1W)	89±2dB
Max SPL(1M)	102±2dB
Freq. Resp	140Hz-14kHz
Dimension(L×W×H)	120×160×400mm
Weight	3.5kg

### Positioning Dimensions & Diagram



### Installation

1. Fit 2 Ø8mm screws on the mounting surface and set the speaker system as above;
2. Connect audio broadcasting wire to the terminals according to the table below;

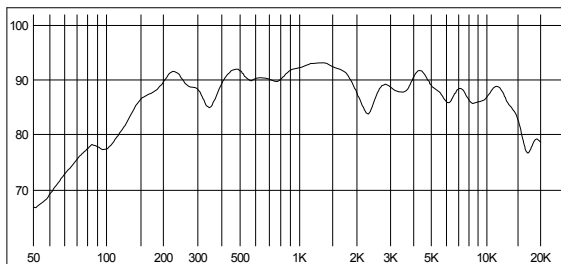
Power Terminals	Line Voltage	70V	100V
Red---Blue		10/20W	20W/40W
Red---White		20W/40W	No Use

**ATTENTION: “\*” is the maximum power when the speaker works.  
The red line must be the common terminal when connecting public address wires.**

3. Adjust the direction of the set and examine whether it is steady.

#### FREQ. RESPONSE

(dB SPL、1W、1m)



#### DISTORTION

(THD< 1.5% 1W、1m、100Hz~10kHz)

