

DSP6604 DSP6606 DSP6608

Wall Mount Speaker



Description

This product is a multifunctional high fidelity active wall speaker, which is equipped with white or black to choose as well as convenient installation. Remote audio data flow through the machine output audio signal, and sound is from the speakers directly. Auxiliary audio output interface can be used to connect to other power amplifier to extend power; another two wired microphone input interface (and the company UHF wireless microphone system collocation) can realize super voice reproduction and the input signal of high and low gain regulation. The machine also has other rich interface for you to choose. Only DSP6608 features the Bluetooth function.

Features

- Focus on sound quality, inverse-phase type design, and equipped with high pitch and low pitch double unit, clear sound level, mellow, transparent, clear and bright, strong bass;
- Strong input, power rating 2x20W/2x30W/2x40W three optional;
- With balance and non balance microphone input;
- Main and auxiliary boxes configured, super voice-reproduction;
- Built-in Hi-Fi digital power amplifier, low power waste design;
- Can adjust the high and low pitch raise of input signal;
- Can adjust the output volume of the speaker;
- Features a 3.5mm auxiliary output connector for extended output power;
- With auxiliary input, and priority input function such as AUX1, AUX2;
- With priority for MIC strong interpolation.

Specifications

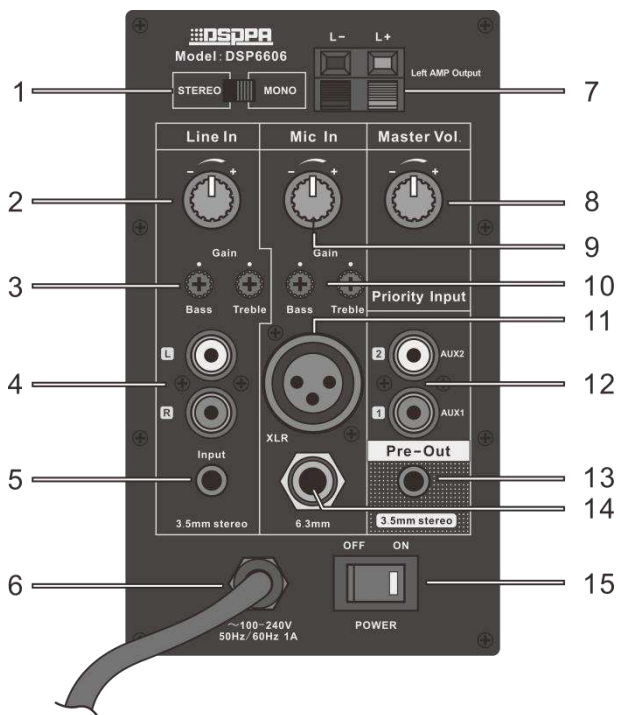
Model		DSP6604	DSP6606	DSP6608
LINE Input (RCA & 3.5)	Input Impedance	> 10kΩ		
	Sensitivity	30±300mV		
	Frequency Response (20Hz-20KHz)	±3dB		
	Distortion	≤1%		
	Signal-to-Noise Ratio	≥81dB		
	BASS Gain (100 Hz)	±8dB		
	TREBLE Gain (10KHz)	±8dB		
AUX1 (Alarm Signal Input)	Input Impedance	> 10kΩ		
	Sensitivity	1.0±0.1V		
	Frequency Response(20Hz-20KHz)	±3dB		
	Distortion	≤1%		
	Signal-to-Noise Ratio	≥81dB		
AUX2 (Broadcast Signal Input)	Input Impedance	> 10kΩ		
	Sensitivity	500±50mV		
	Frequency Response (20Hz-20KHz)	±3dB		
	Distortion	≤1%		
	Signal-to-Noise Ratio	≥81dB		
MIC Input (XLR & 6.3)	Input Impedance	> 600Ω		
	Sensitivity	40mV @ XLR input 300mV @ 6.3 input		
	Frequency Response (80Hz-12KHz)	±3dB		
	Distortion	≤1%		
	Signal-to-Noise Ratio	≥70dB		
	BASS Gain (100Hz)	±8dB		
	TREBLE Gain (10KHz)	±8dB		
	Output Amplitude	1.0±0.1V		
Pre-out Signal Input	Frequency Response (20Hz-20KHz)	±3dB		
	Distortion	≤1%		
	Signal-to-Noise Ratio	≥90dB		
	Rated power	2×20W/8Ω	2×30W/8Ω	2×40W/8Ω
Amplifier Output	Signal-to-Noise Ratio	≥81dB	≥81dB	≥81dB
	Woofer	4"	5"	6.5"
Speaker	Tweeter	1"	1"	1"
	Sensitivity	90dB±2dB	90dB±2dB	91dB±2dB
	Maximum Sound Pressure Level	103dB±2dB	105dB±2dB	106dB±2dB
	Frequency Response	95Hz-20KHz	80Hz-20KHz	65Hz-20KHz
	Distortion	≤5%	≤5%	≤5%

	Standard	/	/	BT4.0
	Distance	/	/	10m
Bluetooth	Name	/	/	BT_SPEAK(XXXX) XXXX means 0001-9999
	Password	/	/	1988
	Line Input	RCA, 3.5 plug		
Interface	AUX1 (Alarm Signal Input)	RCA plug		
	AUX2 (Broadcast Signal Input)	RCA plug		
	MIC Input	XLR, 6.3 plug		
	Pre-out Output	3.5 plug		
	Power Amplifier Output in Left Channel	WP connecting clamp		
Power Supply	Voltage	~100-240V/50/60Hz/1A		
Product Dimensions	H×W×D (mm)	255×176×170	280×194×185	310×215×203
Product Weight	Net Weight (kg)	2.8	3.2	3.2

Front / Rear Panel

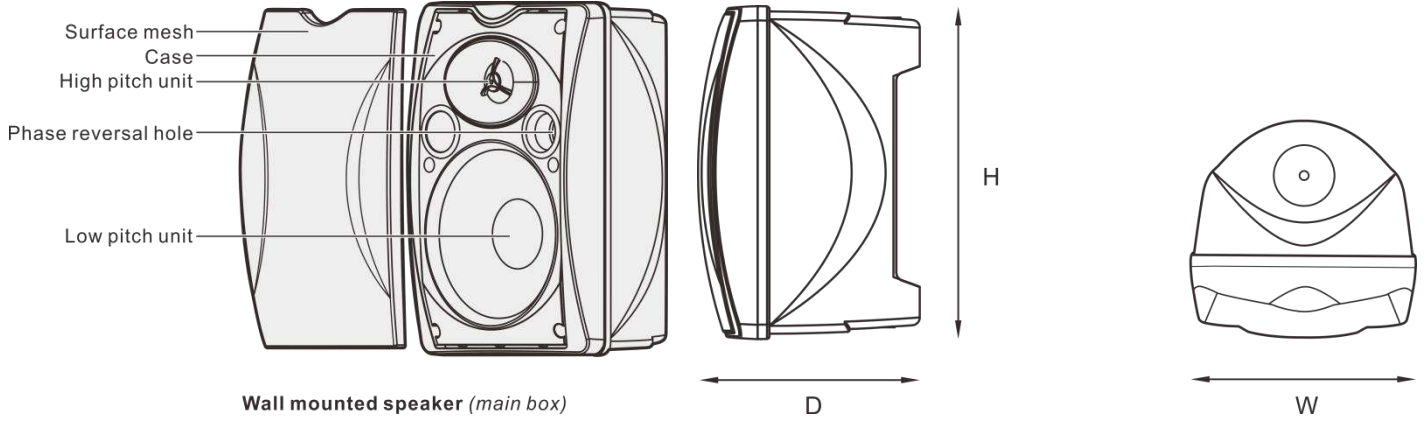
Rear Panel

Note: The rear panel port of DSP6604, DSP6606 and DSP6608 are same, below uses DSP6606 as an example.



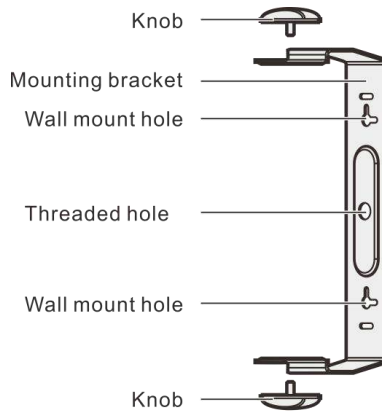
1. Mono/stereo switch
2. Line input overall gain adjustment
3. Line input high pitch and low pitch gain adjustment
4. Line input interface (RCA)
5. 3.5mm audio interface for Line input
6. AC power cord ~100-240V/ 50Hz/60Hz/1A
7. WP wire clip output by Power amplifier left channel connecting auxiliary box
8. Total volume control knob
9. MIC input overall gain adjustment
10. MIC input high pitch and low pitch gain adjustment
11. MIC balance input interface
12. Priority Input interface (RCA)
13. Pre-out 3.5mm audio interface
14. MIC input 6.3mm non balance interface
15. Power switch

Product Information



Model	Height	Width	Depth
DSP6604	255	176	170
DSP6606	280	194	185
DSP6608	310	215	203

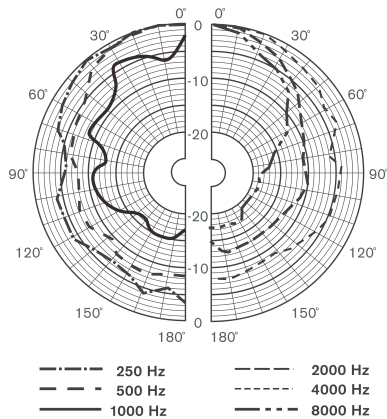
Unit: mm



U-shape bracket

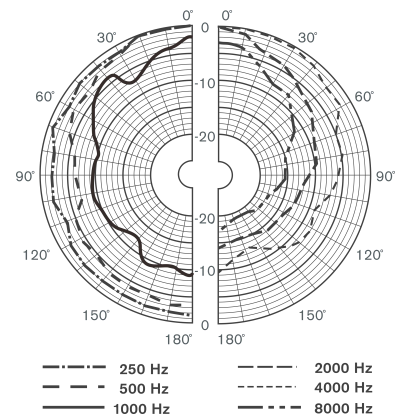
Technical Parameters

DSP6604
Vertical Directivity Pattern

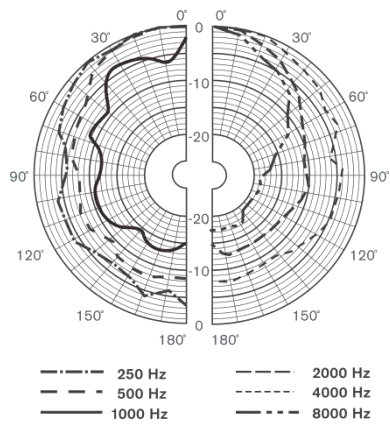


DSP6606
Vertical Directivity Pattern

DSP6604
Horizontal Directivity Pattern

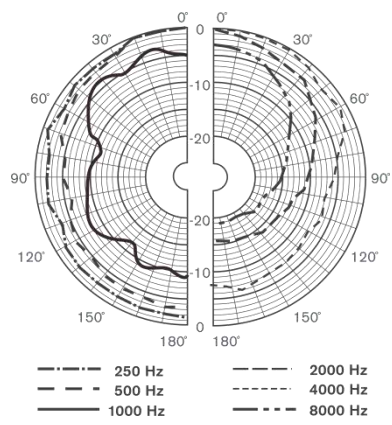
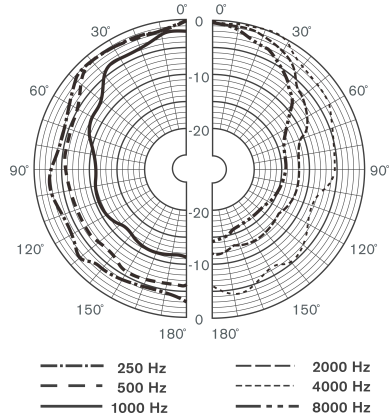


DSP6606
Horizontal Directivity Pattern



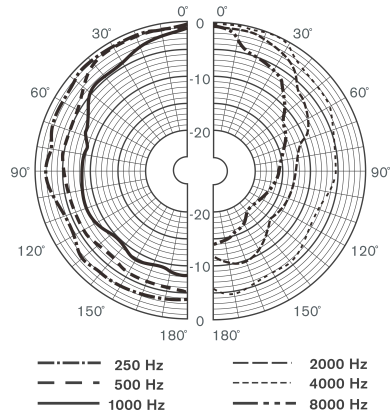
DSP6608

Vertical Directivity Pattern

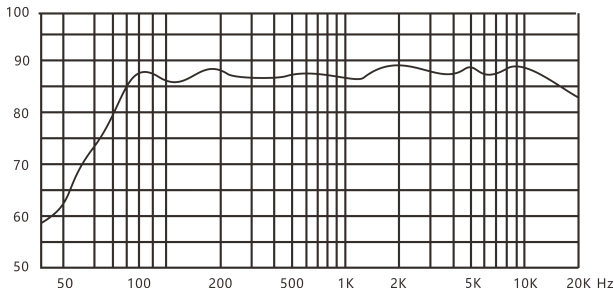


DSP6608

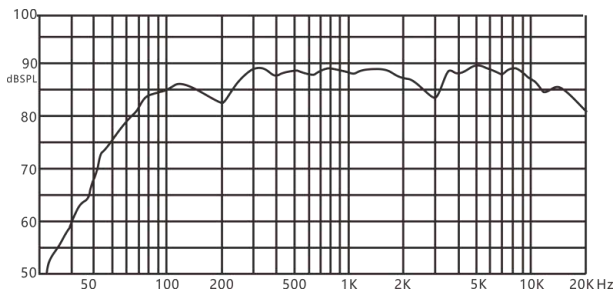
Horizontal Directivity Pattern



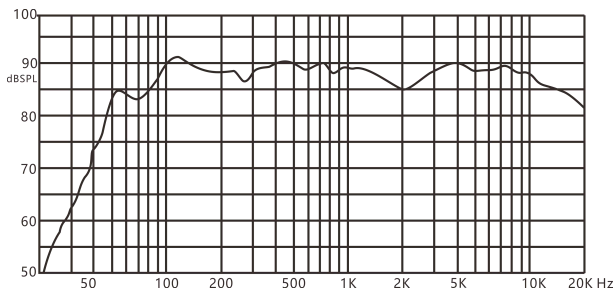
DSP6604 Frequency Response
(dB SPL, 1W, 1m)



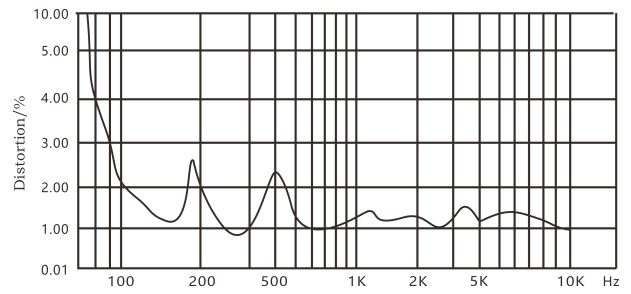
DSP6606 Frequency Response
(dB SPL, 1W, 1m)



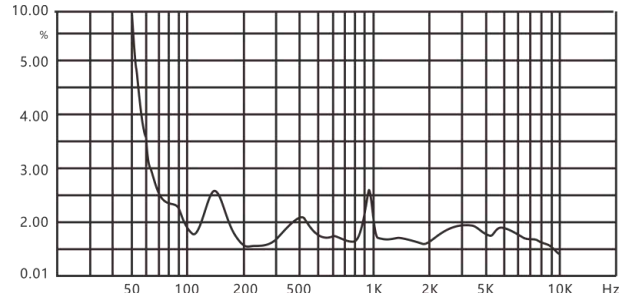
DSP6608 Frequency Response
(dB SPL, 1W, 1m)



DSP6604 Distortion
(THD < 5% 1W, 1m, 100Hz-10kHz)



DSP6606 Distortion
(THD < 5% 1W, 1m, 100Hz-10kHz)



DSP6608 Distortion
(THD < 5% 1W, 1m, 100Hz-10kHz)

