

DSP6030P DSP8050P

Pendant Speaker



DSP6030P



DSP8050P

Description

This 8Ω pendant speaker combines a dual-unit design for optimal sound performance, offering flexible power adjustments to suit various applications. It ensures rich, balanced audio with high sensitivity and sound pressure, delivering clear and consistent coverage even in challenging environments. The IP66 waterproof rating makes it durable for outdoor use. The DSP6030P provides three installation options: suspension, wall-mounting, and floor-standing, while the DSP8050P supports only the suspension installation.

Features

- An 8Ω constant-resistance speaker, featuring a high-performance dual-unit structure, designed for stable and efficient sound output.
- Equipped with a power tap, allowing flexible adjustment to meet power requirements in diverse application scenarios.
- With a wide frequency range, delivering rich and balanced sound performance.
- With high sensitivity, ensuring efficient sound reproduction even with lower input power.
- With a high sound pressure level, it can deliver clear and powerful audio output, ensuring more uniform coverage even in noisy environments.
- With IP66 waterproof rating, suitable for outdoor and harsh environments.

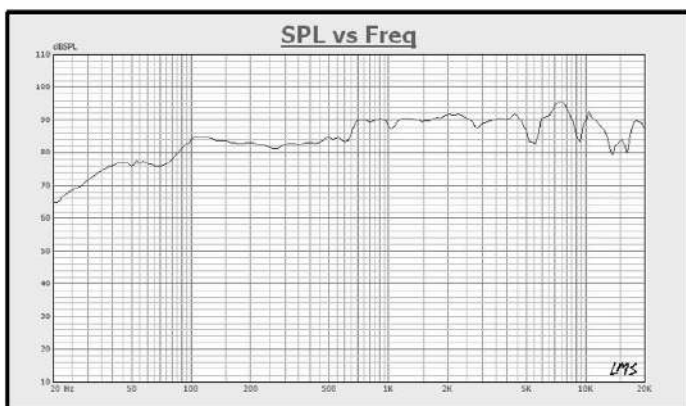
Specifications

Model	DSP6030P	DSP8050P
Tweeter	1" (25mm) silk soft dome	1" (25mm) silk soft dome
Woofer	6.5" (165mm) graphite cone, rubber surround	8" (203mm) graphite cone, rubber surround
Frequency Range +/-3 Power	47Hz-20kHz	37Hz-20kHz
RMS	40W	50W
Sensitivity	85dB	86dB
Taps	8Ω, 0, 40W, 20W, 10W, 5W	8Ω, 0, 50W, 25W, 12.5W, 6.25W
Impedance	8 ohms	8 ohms
Coverage Angle	55°×55° (tested under free-field conditions with a 2.83V pink noise signal at a distance of 1 meter)	70°×75° (tested under free-field conditions with a 2.83V pink noise signal at a distance of 1 meter)
Termination	Pluggable terminal blocks	Pluggable terminal blocks
Attachment	Safety rope	Safety rope
Dimensions (H*W)	282mm×214mm	375mm×253.4mm
Certifications	IP66 waterproof speaker	IP66 waterproof speaker
Material	PP	PP

Technical Parameters

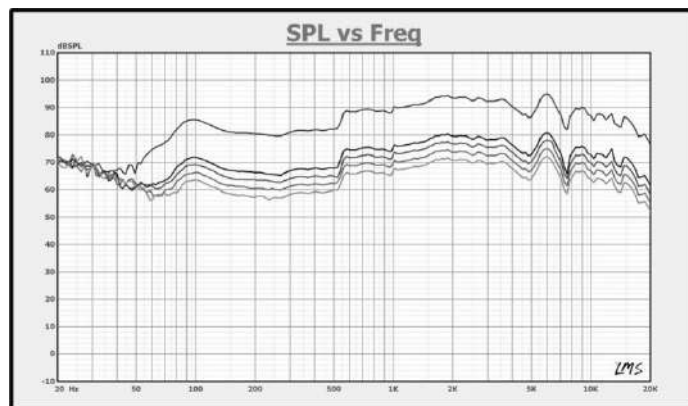
DSP6030P

Frequency Response (dB SPL, 1W, 1m)



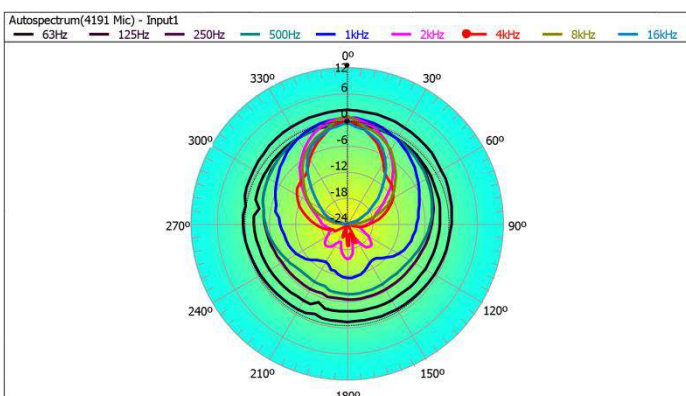
DSP8050P

Frequency Response (dB SPL, 1W, 1m)



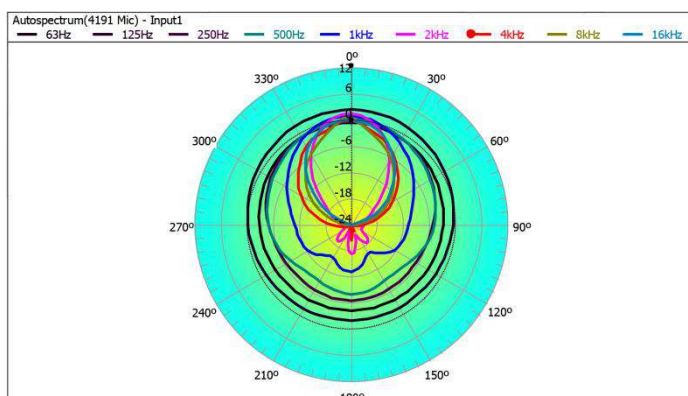
DSP6030P

Directivity Curve



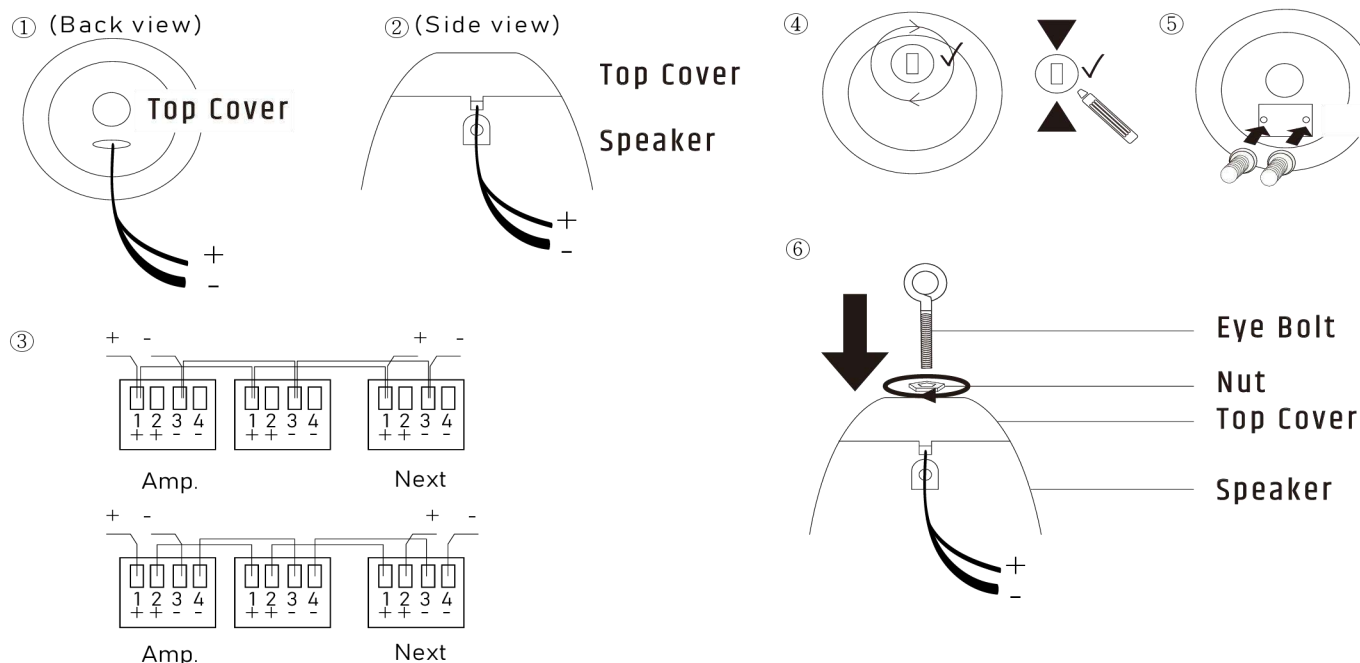
DSP8050P

Directivity Curve

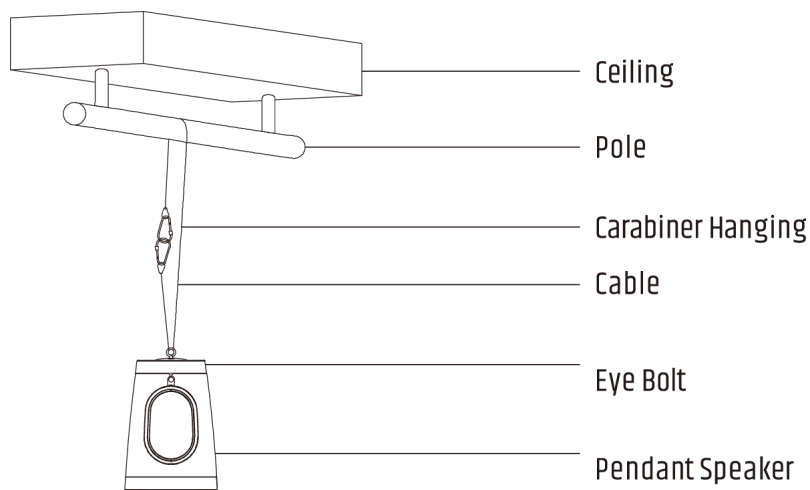


Note: As shown above, the DSP6030P has a measured coverage angle of 55°×55° and the DSP8050P has a measured coverage angle of 70°×75°, both tested under free-field conditions with a 2.83V pink noise signal at a distance of 1 meter.

Speaker Connection



Hanging Information



Note: Make sure the speaker is properly secured to the ceiling / building's structure. Please use the proper screws, bolts, or anchors (not included). Failure to do so may cause the speaker to become unsecured and cause potential damages/injuries.