

DSP6114 / DSP6116

20W / 40W Outdoor Waterproof Column Speaker



Description

DSP6114/DSP6116 outdoor column speaker is a high-performance audio solution designed for outdoor environments, featuring rated power of 20W/40W, high sensitivity, wide frequency range, and a durable, weather-resistant construction. These speakers deliver clear, powerful sound with strong bass and are perfect for long-lasting outdoor installations, ensuring reliable performance in various weather conditions.

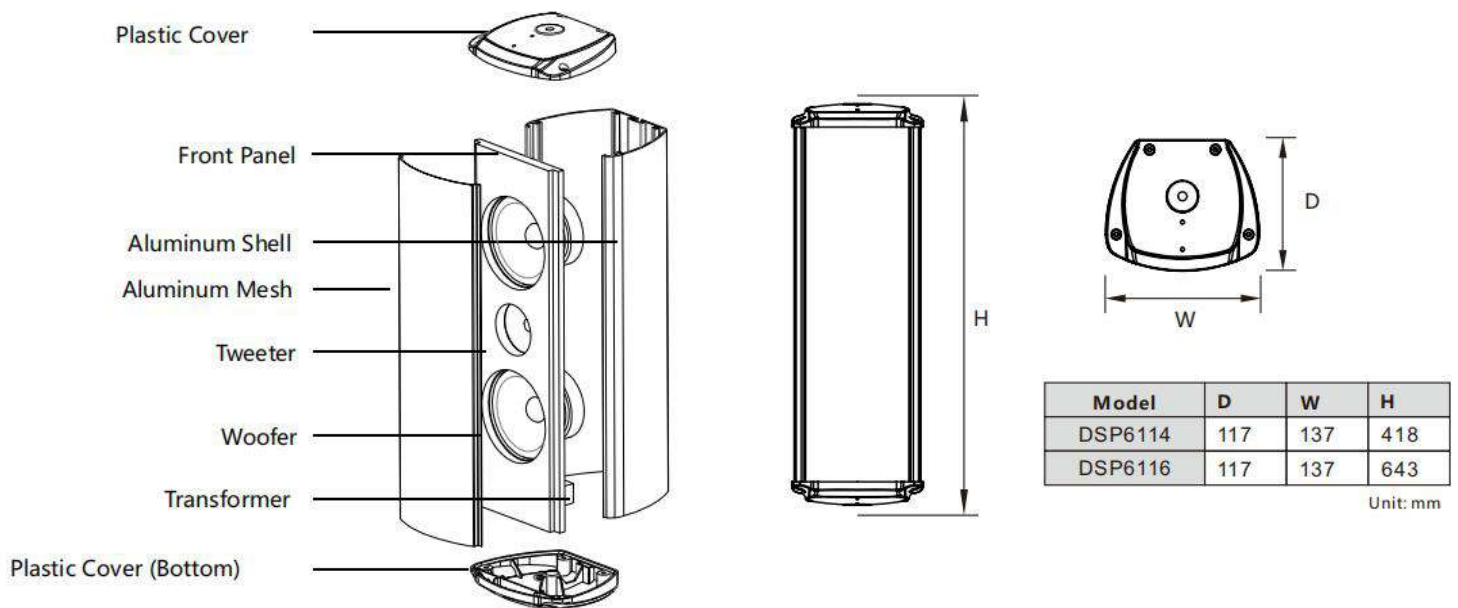
Features

- Adopt the speaker unit with high sensitivity, high dynamic range, two-way frequency design, strong bass, clear and delicate treble, and good voice playback effect.
- Built-in E-type high-bandwidth transformer, pure copper wire turns, 50Hz-20KHz frequency range to ensure low frequency rendering.
- Adopt waterproof design, aluminum shell, plastic cover and aluminum mesh, and UV anti-ultraviolet paint treatment for the surface, which can be used outdoors for a long time.
- Adopt thickened aluminum material for the speaker case and integrated sealing design, effectively preventing air leakage and resonance sound.
- With drain holes in the bottom cover, effectively eliminating the impounded water.

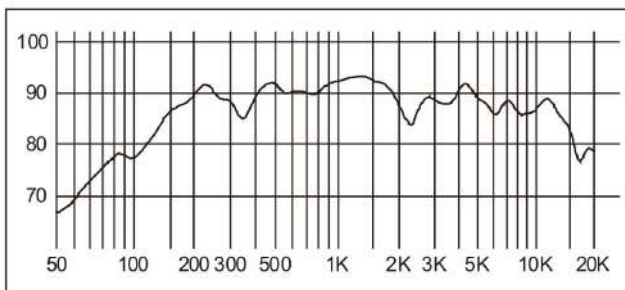
Specifications

Model	DSP6114	DSP6116
Rated Power (RMS)	20W	40W
Frequency Response	140Hz-14kHz	140Hz-14kHz
Sensitivity (1m,1W)	89+2dB	93+2dB
Max. SPL (1m)	102+2dB	109+2dB
Woofers	4"x2	4"x4
Treble	1"x1	1"x1
Dimensions (H×W×D)	418×137×117mm	643×137×117mm
Weight	3.0kg	5.0kg

Product Information



Frequency Response(dB SPL, 1W, 1m)



Distortion (THD<1.5% 1W, 1m,200Hz-10kHz)

